

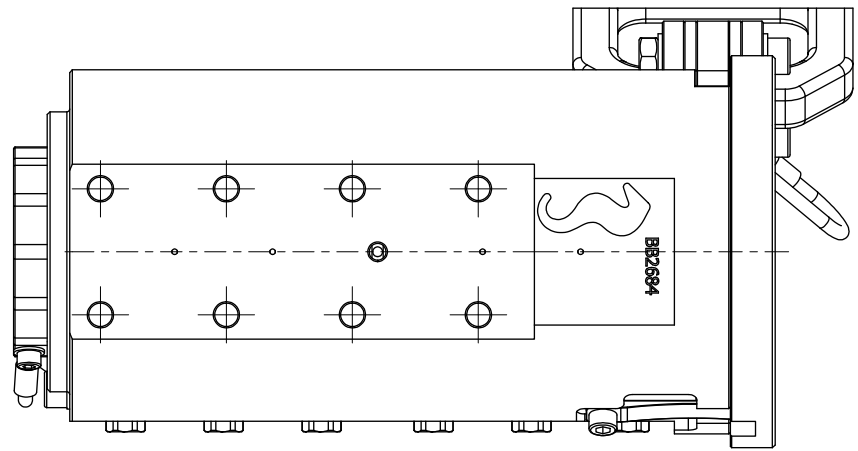
NOTE: 1  
DESIGN CODE:  
N/A

NOTE: 2  
TECHNICAL CLASSIFICATION:  
Article Type: 003-Valve Stabs  
Main Group: 3.07. Ø55/Ø57-Valvestab  
Intermediate Group: 3.42.02. Receptacle  
Sub Group: 3.42.103.6. Hexa

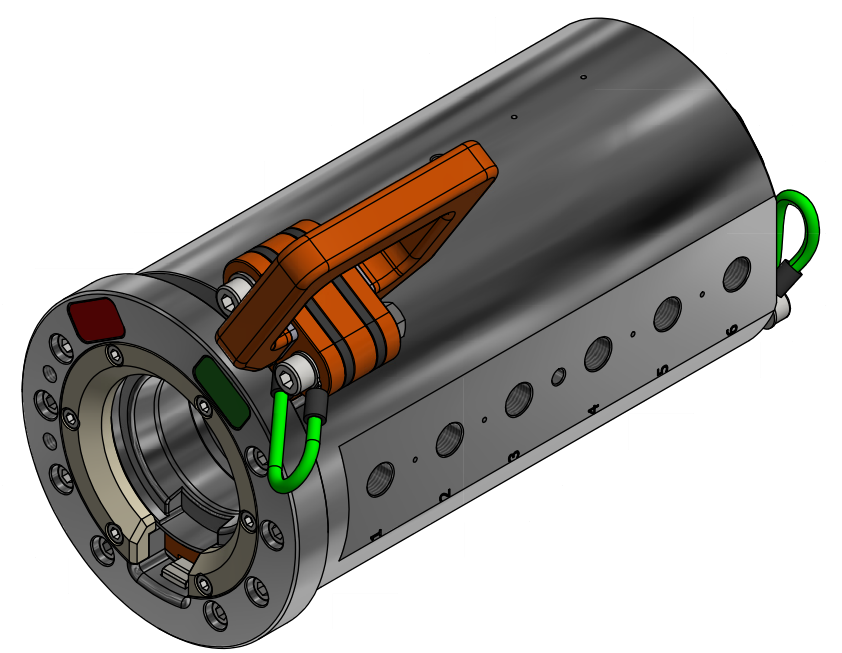
NOTE: 3  
INTERFACE INFORMATION:  
Pressure Rating Bar: 690  
Design Water Depth:  
Material: Long-term  
Weight: 20,6 kg  
Volume: 2,69 dm<sup>3</sup>  
Submerged Weight: 17,82 kg  
Surface Area: 5560 cm<sup>2</sup>  
Hydraulic: 3/8" MP  
Mechanical: 8xM10 (45x45x45)  
Electrical: N/A  
Com. & Protocol: N/A

NOTE: 4  
SPAREPARTS:

NOTE: 5  
ADDITIONAL INFORMATION:  
Valve Stab Receptacle with 6 individual hydraulic lines for Long-term submersion, when connected to external CP system.  
When stab is inserted and valves opened (red position) a weak link system ensures that the stab can be pulled out in an emergency situation, emergency release force approx. 3kN.  
ROV Handle in green position: All valves closed, stab free to mate or remove.  
ROV Handle in red position: All valves open, stab locked into receptacle.  
For more information - request usermanual 600142-TD-0001.



VIEW A-A  
(MOUNTING INTERFACE)



06	14.5.2025	9-IFU (Issued for Use)		WTJ	HNJ	WTJ
05	29.5.2024	9-IFU (Issued for Use)		WTJ	HNJ	WTJ
04	30.11.2023	9-IFU (Issued for Use)		WTJ	LGH	WTJ
03	21.4.2021	9-IFU (Issued for Use)		WTJ	HNJ	WTJ
Rev.	Date	Reason for issue	Revision change	Made	Chk'd	Appr.

**BLUE LOGIC**

This Drawing is the Property of Blue Logic AS © and must Not be Loaned, Reproduced or Transferred to others without written Permission

Dwg Scale:	NTS
Dwg Proj:	
Dwg Format:	A3

Drawing title:	Ø55/Ø57 HP VStab Rec 10k Long-term MP 3/8" Double Seal	
Drawing number:	BB2035	Rev: 06